

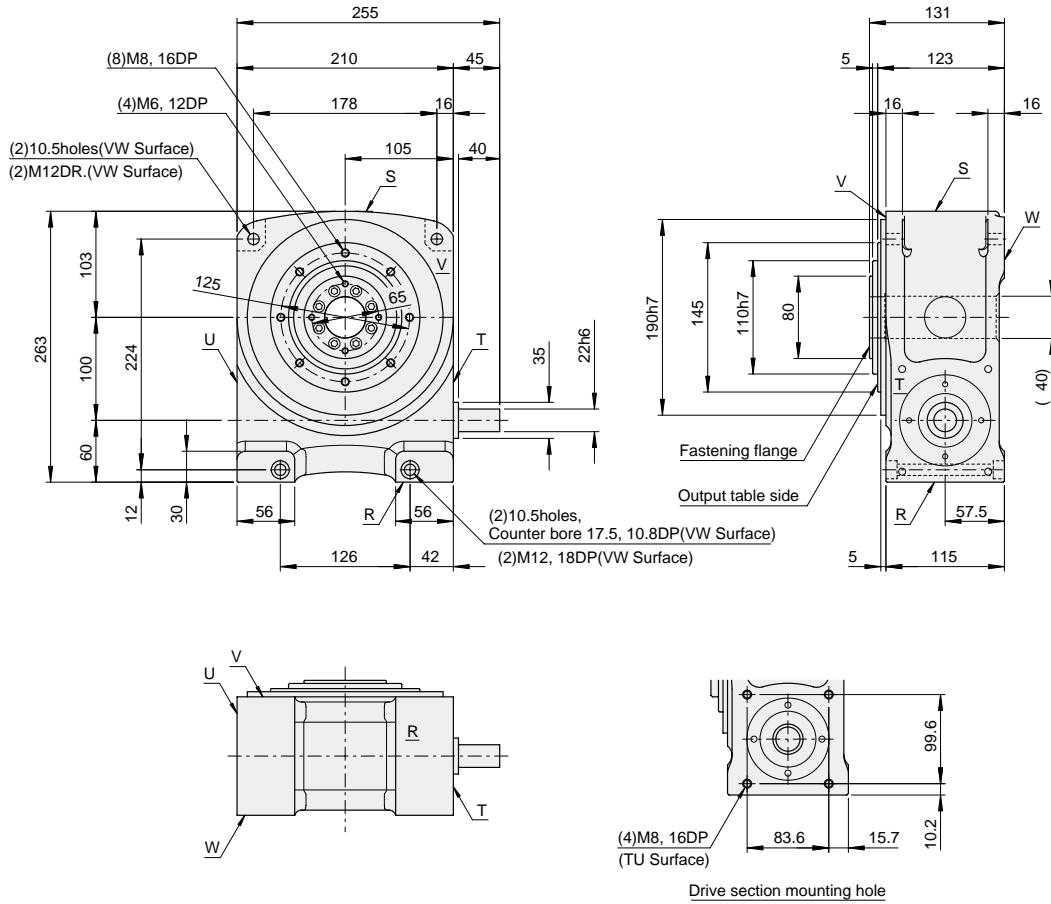




# Dimensions

[ Unit:mm ]

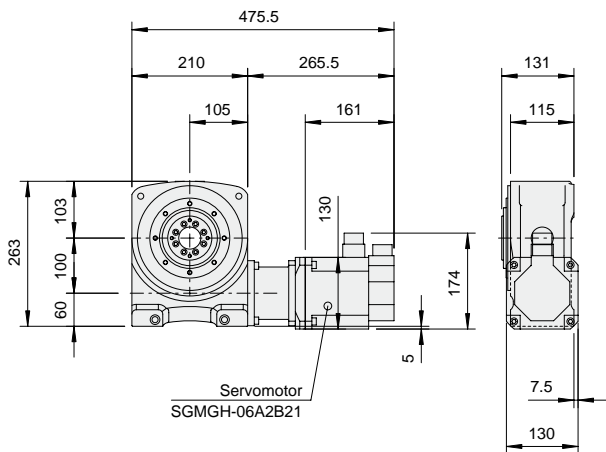
## RE100



Uses grease lubrication.

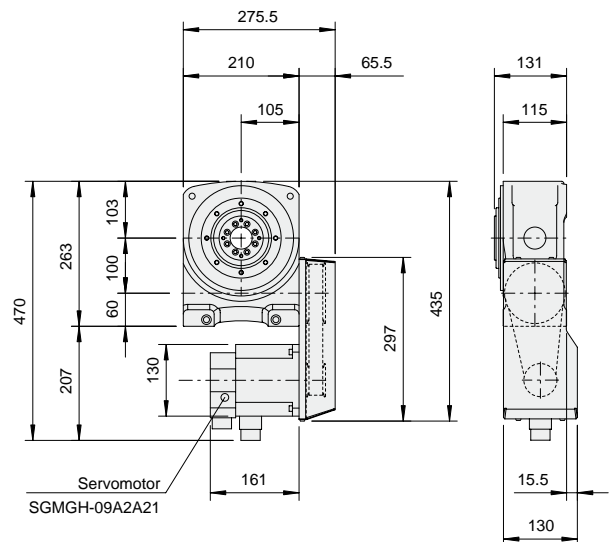
### Example of servomotor mounting

#### RE100 Coupling specifications



Part of the drive section sticks out from the housing and output table surface.

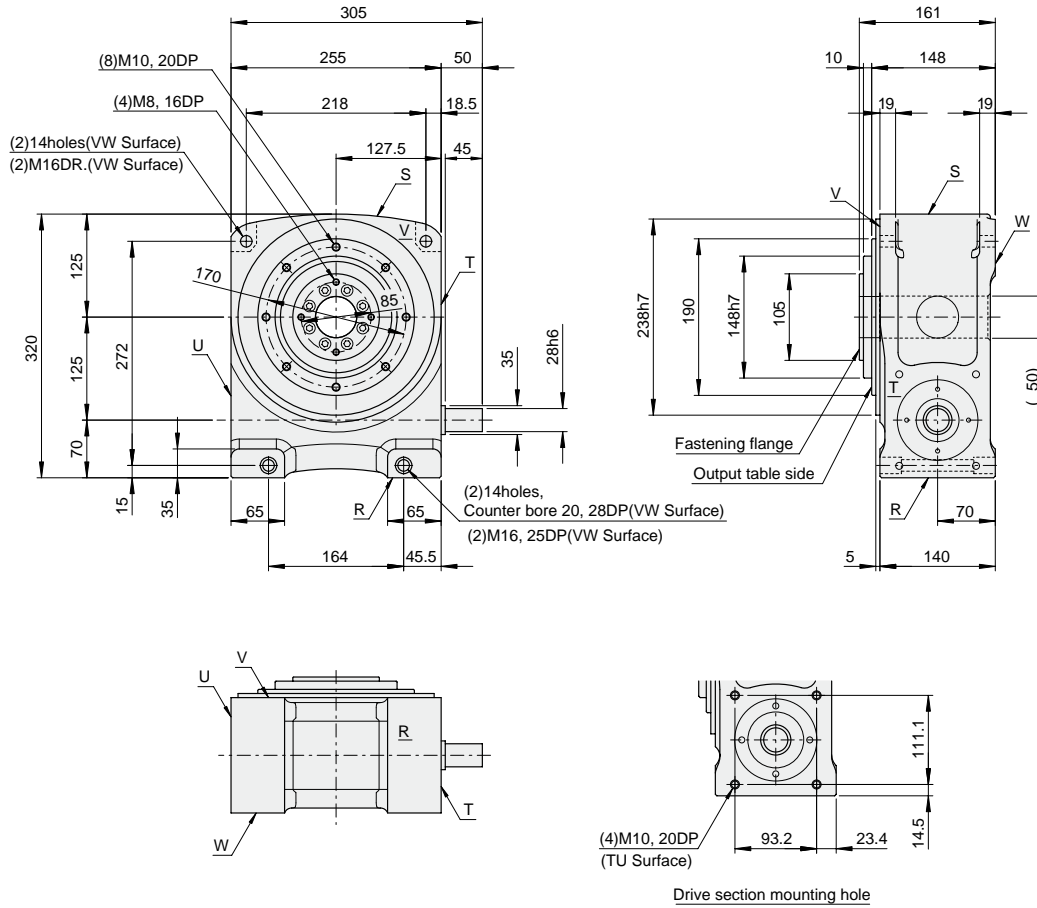
#### RE100 Timing belt specifications



Part of the drive section sticks out from the housing and output table surface.

[ Unit:mm ]

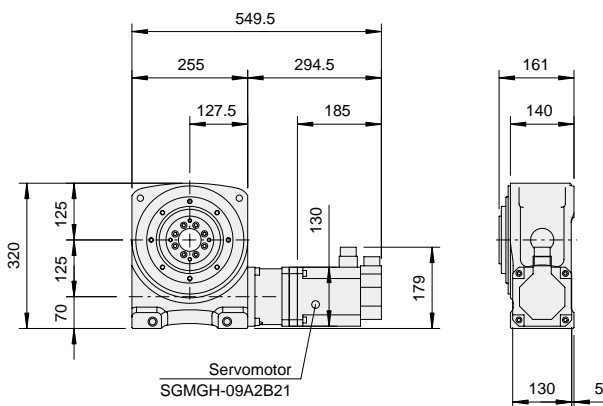
RE125



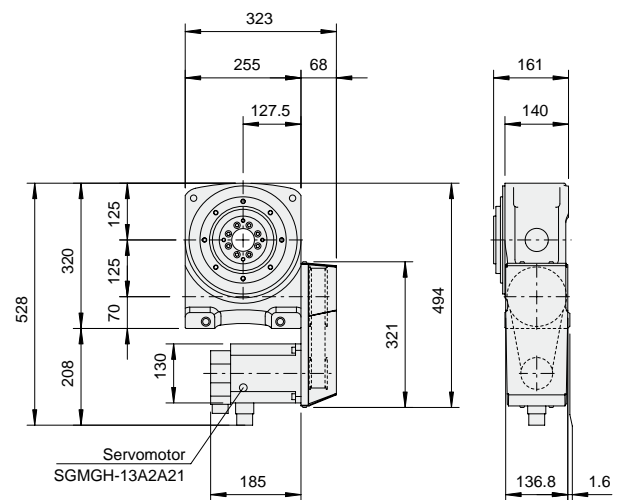
Uses grease lubrication.

Example of servomotor mounting

RE125 Coupling specifications



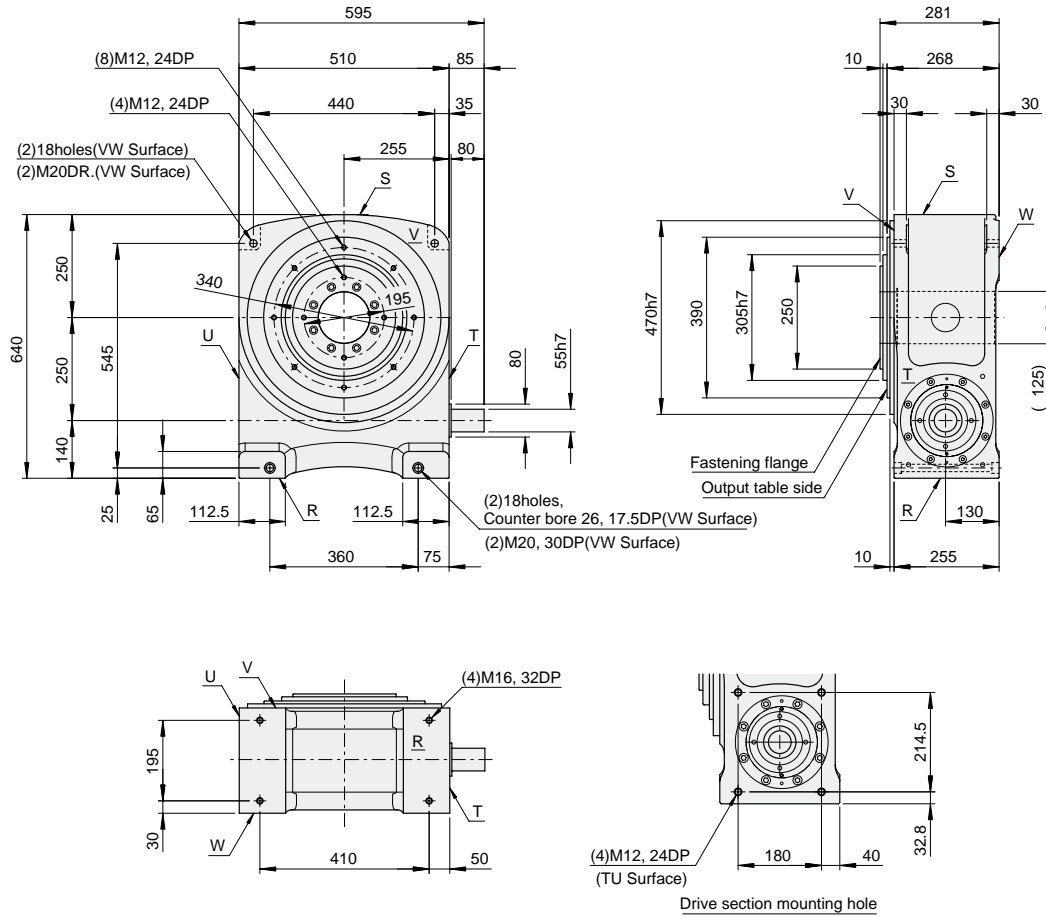
RE125 Timing belt specifications





[ Unit:mm ]

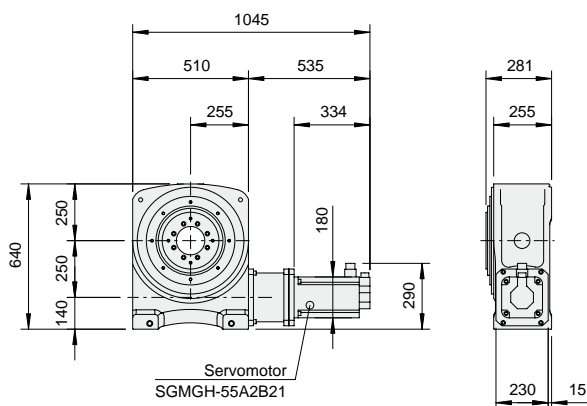
RE250



Uses oil lubrication.

Example of servomotor mounting

RE250 Coupling specifications



RE250 Timing belt specifications

